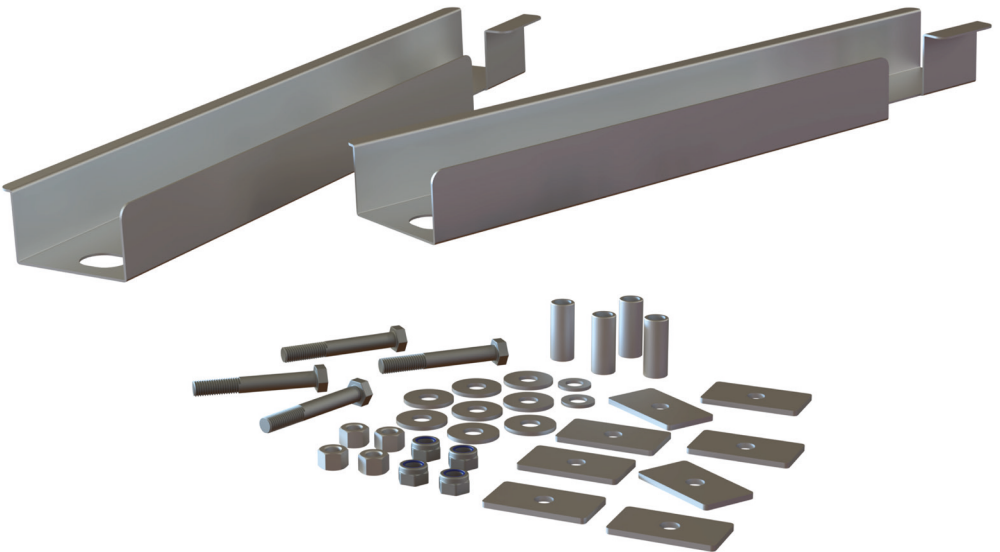




CM100 – Spare Wheel Carrier Adjuster Kit

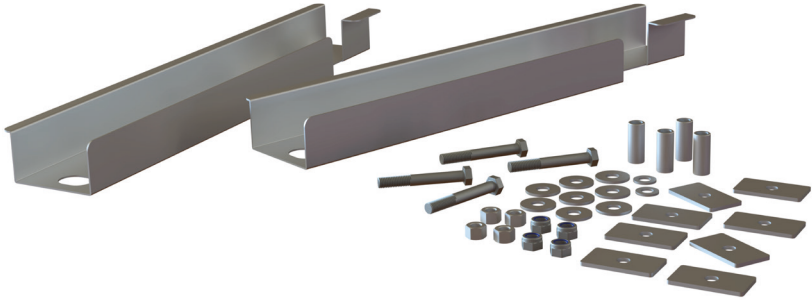


Installation Guide and
User Information

EN

QTR-M100

Fig.A



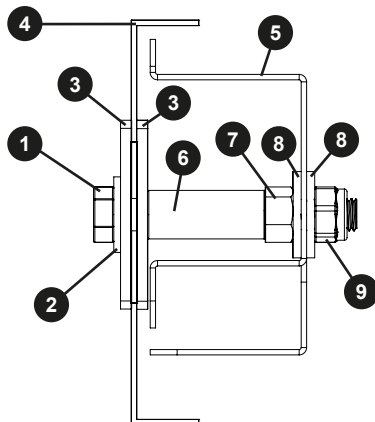
Above illustrates the contents of this kit:

- 2x relocater brackets,
- 4x M12 bolts,
- 4x Small Washers,
- 8x Large Washers,
- 4x Spacers,
- 4x Clamping nut,
- 4x Nyloc Nut,
- 8x Rectangular Washers

The product works by moving the spare wheel carrier to the rear of the caravan, so that it doesn't interfere with the caravan movers.

1. Firstly, remove the spare wheel carrier from the caravan chassis.
2. For a UK vehicle one of the plates needs to be fitted externally to the chassis, on the nearside and the other plate installed internally, on the offside. For a European vehicle the sides are reversed.
3. Fix the first bracket to the inside of the chassis, on the offside of the caravan, in the configuration shown in Fig.B, using the chassis fixing holes shown in Fig.C.

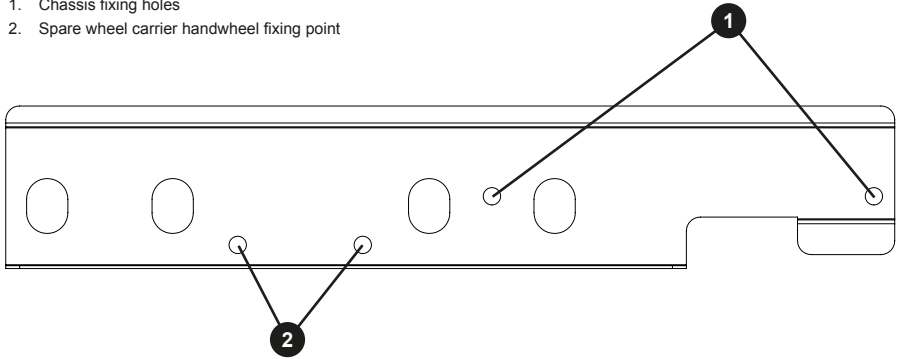
Fig.B



1. M12 bolt
2. Small washer
3. Rectangular washer
4. Chassis
5. Relocater bracket
6. Spacer
7. Clamping nut
8. Large washer
9. Nyloc nut

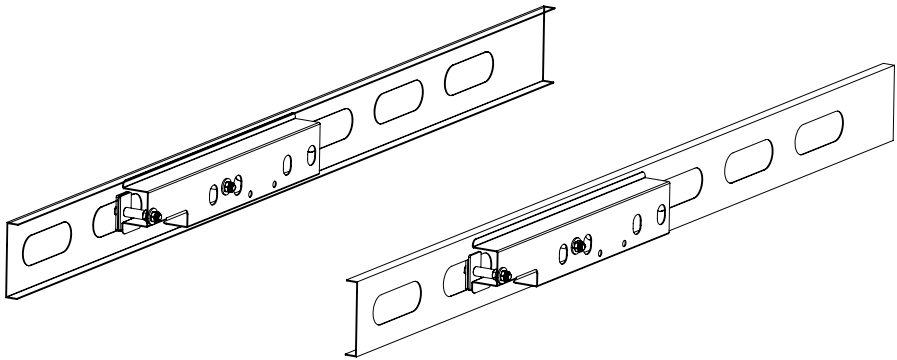
Fig.C

1. Chassis fixing holes
2. Spare wheel carrier handwheel fixing point



4. Repeat step 3 on the nearside of the caravan, fitting the plate externally to the chassis. Both brackets should now be fitted as demonstrated in Fig.D below.

Fig.D



5. The spare wheel carrier can now be mounted on the brackets that have now been fitted. Use Fig.C to locate the spare wheel carrier handwheel, while also using the larger holes to mount the carrier. The carrier should fit on the bracket as shown in Fig.E.

Fig.E



Contact Information

UK Purple Line Limited
Peninsula Business Centre
Wherstead, Suffolk
IP9 2BB, United Kingdom

Tel: +44 (0) 1473 601200
E-mail: info@purpleline.co.uk

DE Purple Line GbmH
Jägerhofstraße 29,
Düsseldorf,
40479, Germany

Tel: +44 (0) 1473 601200
E-mail: info@purpleline.co.uk



**Purple Line Ltd, Unit 1,
Peninsula Business Centre,
Wherstead,
Suffolk
IP9 2BB**

**Web: www.quattromover.com
Tel: +44 (0)1473 601200
Email: info@purpleline.co.uk**